

MISENHEIMER INC.

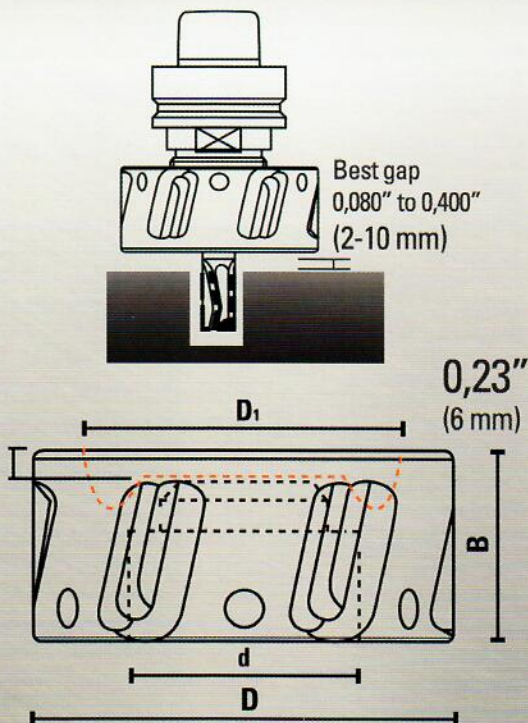


- Suitable for Nesting and Routing
- Especially recommended when working chipboard, MDF and coated panels
- Maximum RPM 20,000 (18,000 RPM suggested)
- Maximum tool diameter 2.5" (65 mm)
- Best results when working with up-cut spiral bits
- For maximum results Hurricane must be run from 0.080" to 0.400" (2 to 10 mm) above material (good results up to 25 mm)
- Balanced at G 2.5
- Weight 0.58 lb (0.265 kg)



HURRICANE

Items	Type	D	D ₁	d	B	Rot.
Hur-32	DIN6499 (ER32)	3-5/8" (92 mm)	2-3/4" (70 mm)	M 40x1,5	1.65" (42 mm)	Rh
Hur-40	DIN6499 (ER40)	3-5/8" (92 mm)	2-3/4" (70 mm)	M 50x1,5	1.65" (42 mm)	Rh
Hur-OZ	DIN6388 (SY0Z25)	3-5/8" (92 mm)	2-3/4" (70 mm)	M 48x2	1.65" (42 mm)	Rh



1) Insert the spring collet into the Hurricane applying a light pressure.



2) Slightly screw Hurricane in the tool holder.



3) Insert the router bit.



4) Tighten Hurricane with the hook wrench using the dedicated side holes.